

W. P. TULLOCK.
 CENTERING DEVICE.

No. 185,706.

Patented Dec. 26, 1876.

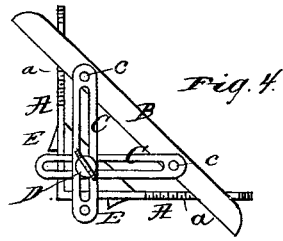
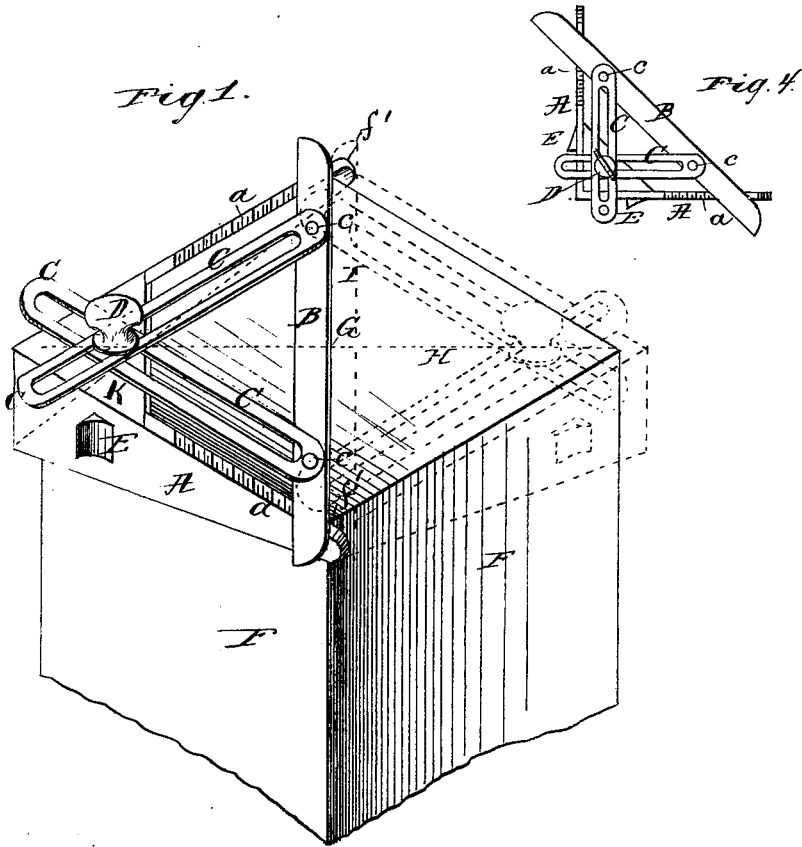


Fig. 2.

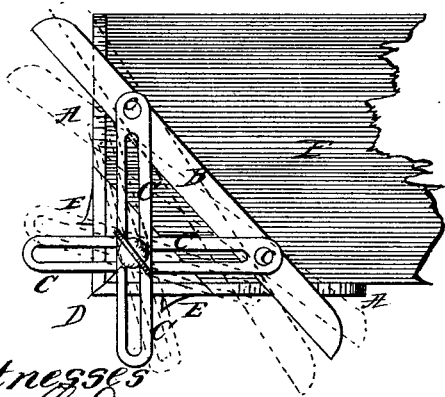
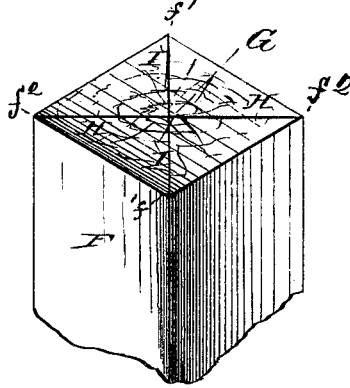


Fig. 3.



Witnesses
 J. C. Dutcher
 E. C. Walford.

Inventor
 Wm. P. Tullock,

by S. S. Kirk Atty

UNITED STATES PATENT OFFICE.

WILLIAM P. TULLOCK, OF WASHINGTON, DISTRICT OF COLUMBIA.

IMPROVEMENT IN CENTERING DEVICES.

Specification forming part of Letters Patent No. **185,706**, dated December 26, 1876; application filed November 29, 1876.

To all whom it may concern:

Be it known that I, WILLIAM P. TULLOCK, of Washington city, in the county of Washington and District of Columbia, have invented certain new and useful Improvements in Centering Devices; and I do hereby declare that the following is a full, clear, and exact description thereof, which will enable others skilled in the art to which it appertains to make and use the same, reference being had to the accompanying drawings, and to letters of reference marked thereon, which form a part of this specification.

Figure 1 is a perspective view, showing application of my device to the end of a timber for the purpose of drawing lines H I in the center of the same; Fig. 2, a plan view, showing the application of my device to the corner of a board or timber for the purpose of drawing lines angular to the sides thereof, as hereinafter more fully explained; Fig. 3, a perspective view of a "squared timber," with lines H I drawn thereon, obtaining center G; Fig. 4, plan view of my device.

Similar letters of reference indicate corresponding parts.

A is a frame, which I prefer to make of wood, being two pieces secured firmly at right angles with each other by triangular stay K. *a* is a graduated scale on the upper edge of sides A. B is a ruler, to which are pivoted slotted slides C C by pivots *c*. Thumb-screw D passes through the slots of slides C C, and screws into the triangular stay K. E E are thumb-pieces, secured to sides A A to facilitate handling my device.

The application of my device to its respective uses is as follows: To obtain the center on the end of a squared timber, for the purpose of turning in a turning-lathe or other purposes, as shown in Fig. 1, I adjust my de-

vice to corner f^2 of timber F, then glide the ruler B forward to the corners $f^1 f^1$, and draw line I. I then adjust the device to f^1 , when the ruler B is found to cross corners $f^2 f^2$; then, drawing line H at the intersection of lines H and I, we have the true center of the timber. Where a large number of timbers or pieces of the same dimensions are "centered," my device may be set by tightening thumb-screw D on slotted slides C, so that one adjustment of ruler B is sufficient for all the pieces. The device may then be readily applied to the timbers, and the centers more quickly obtained than in any other way, while the device may be handled with greater facility than any other tool for the purpose.

It is obvious that my device may be applied to a squared corner of any table, board, or timber, for the purpose of drawing angular lines thereon, as shown in Fig. 2. In any operation scale *a* may be used to indicate the angle of ruler B with sides A.

Having thus described my invention, what I claim as new, and desire to secure by Letters Patent, is—

1. Frame A, whose sides are secured at right angles with each other by stay K, and having thumb-pieces E, in combination with ruler B, and one or more slotted slides, C, substantially as and for the purposes set forth.

2. Frame A, having a graduated scale, *a*, marked thereon, in combination with ruler B, slotted slides C, and thumb-screw D, substantially as and for the purposes set forth.

In testimony that I claim the foregoing as my own I affix my signature in presence of two witnesses.

WILLIAM P. TULLOCK.

Witnesses:

S. A. TERRY,
D. W. HOWARD.